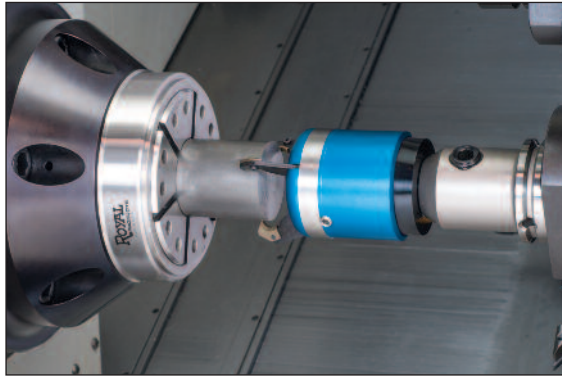




ROYAL GRIPPEX 20L **COOLANT-ACTUATED** CNC BAR PULLERS — Automate Any CNC Lathe



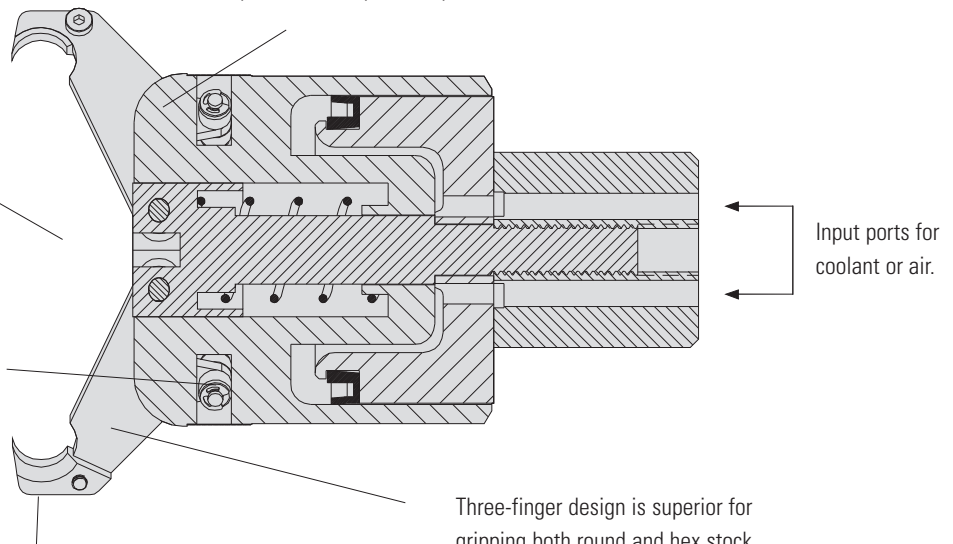
- ❑ The Royal Grippex 20L bar puller is actuated by a CNC lathe's coolant system. As coolant is fed through the unit, it pushes a piston forward which causes the fingers to close around the bar stock. When the coolant is turned off, the fingers automatically spring open.
- ❑ Self-adjusting mechanism – fingers will close down until they contact the bar stock so no presetting is necessary. This feature allows the Grippex to **make multiple pulls on the same workpiece**, even after the OD has been turned.
- ❑ Unit can also be operated by air pressure.
- ❑ When fitted with robot gripper jaws, the Grippex can:
 - Remove a bar remnant from a bar-fed lathe and drop it into the parts catcher. This eliminates the risk of the remnant falling into the chip conveyor where it can become jammed and cause damage.
 - Remove a finished workpiece from a sub-spindle and place it into the parts catcher. This eliminates the need for ejectors and also **allows the sub-spindle to swallow longer parts**.

Thick-walled heavy-duty construction helps to protect unit and allows it to be used at coolant pressures of up to 280 psi.

The Grippex has a wide gripping range of $\frac{1}{8}$ " – $3\frac{1}{8}$ ". Higher capacity gripping fingers are also available.

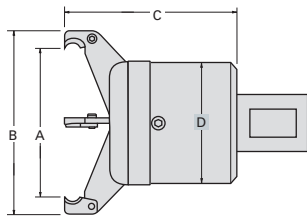
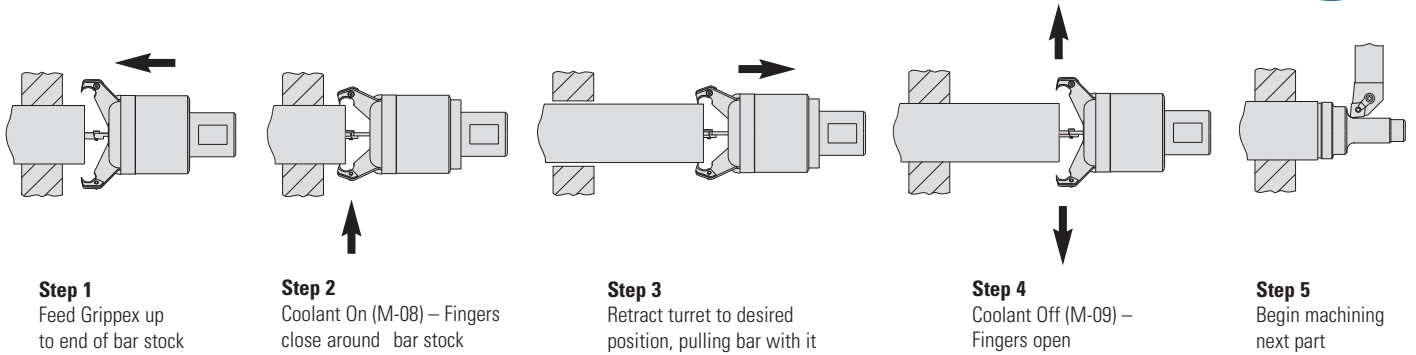
Very high gripping force and smooth operation is achieved through an optimized mechanism where each finger pivots on two roller bearings. As little as 15 psi of coolant pressure is enough to enable the Grippex to pull a 210 lb. bar!

Hardened finger inserts reduce wear and help the Grippex penetrate hard materials like stainless steel.



Three-finger design is superior for gripping both round and hex stock. Special two-finger model also available. Contact Royal for information.

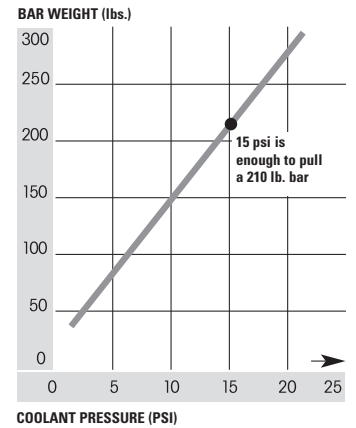
ROYAL GRIPPEX 20L **COOLANT-ACTUATED** CNC BAR PULLERS – Automate Any CNC Lathe



20L Clearance Dimensions

GRIPPING RANGE	FINGER PART NUMBER	A	B	C	D
1/8" – 2 3/8"	43170	2 3/8"	3 1/4"	3 1/2"	2 11/16"
1/8" – 3 1/8"	43175	3 1/8"	4"	3 11/16"	2 11/16"
5/16" – 4 1/8"	43180	4 1/8"	5 1/16"	4 1/4"	2 11/16"

Gripper 20L Pulling Force Graph



Royal Gripper 20L Bar Pullers



SHANK	PART NUMBER	PRICE*
1" Round	43140	\$1,575
1 1/4" Round	43145	1,575
1 1/2" Round	43150	1,575

*Includes one set of standard fingers (3 3/8" cap), and one set of inserts.



Replacement Finger Sets

CAPACITY	PART NUMBER	PRICE/SET
1/8" – 2 3/8"	43170	\$175
1/8" – 3 1/8" (Std.)	43175	192
5/16" – 4 1/8"	43180	357

Contact us if you need fingers for an older model Gripper unit.



Replacement Insert Sets

DESCRIPTION	PART NUMBER	PRICE/SET
20L Insert Set	43185	\$129

Coolant Adapter

Provides an easy method for feeding coolant or air to unit. Not necessary for most applications.



DESCRIPTION	PART NUMBER	PRICE/SET
Coolant Adapter	43190	\$129



Robot Gripper Jaw Sets

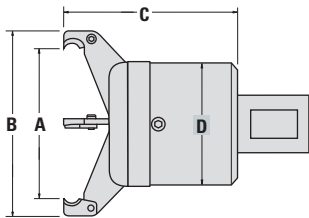
For removing finished parts from a subspindle or removing bar remnants from main spindle.

DESCRIPTION	PART NUMBER	PRICE/SET
20L Robot Gripper Jaw Set	43106	\$226



ROYAL GRIPPEX 20S **COOLANT-ACTUATED** CNC BAR PULLERS – Automate Any CNC Lathe

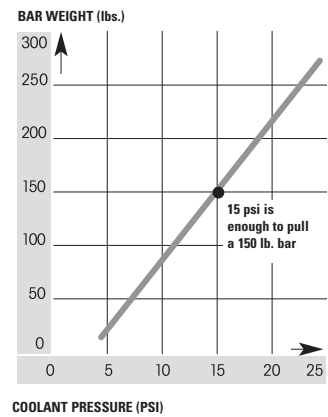
- Same great features as Model 20L featured on previous pages.
- **Smaller body diameter** enables 20S units to be used on machines with less tool clearance and smaller turrets.
- Gripping force for the 20S is quite high, but not as high as the 20L models (see chart).
- 140 psi maximum coolant pressure.



20S Clearance Dimensions

GRIPPING RANGE	A	B	C	D
1/8" - 2 1/16"	2 1/16"	2 15/16"	3 3/8"	2 3/8"

Grippex 20S Pulling Force Graph



Royal Grippex 20S Bar Pullers

SHANK	PART NUMBER	PRICE
1"	43340	\$1,468
1 1/4"	43345	1,468



Grippex 20S Replacement Finger Sets

CAPACITY	PART NUMBER	PRICE/SET
1/8" - 2 1/16"	43339	\$175

Coolant Adapter

Provides an easy method for feeding coolant or air to unit. Not necessary for most applications.



DESCRIPTION	PART NUMBER	PRICE/SET
Coolant Adapter	43190	\$129



Grippex 20S Replacement Insert Sets

CAPACITY	PART NUMBER	PRICE/SET
20S Insert Set	43185	\$129