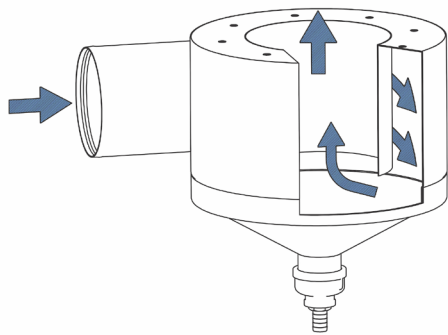


GRINDING = MIST + DUST

Controlling mist on traditional chip-making operations like turning and milling is a relatively straightforward task because the weight of the chips, combined with gravity, ensures that most chips drop into the machine's conveyor rather than being drawn into the mist collector. **Grinding, however, presents a more challenging application** because the fine dust produced by grinding is often entrained in the mist stream, **requiring a mist collector to address the presence of solid particulate as well as the mist.**

The Answer – Royal Filtermist Equipped with a Cyclonic Separator



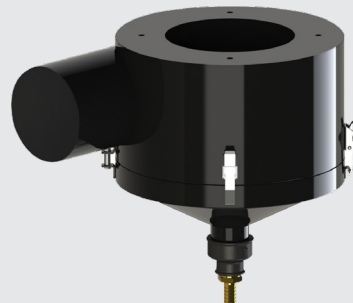
Cyclonic separators have been effectively used in dust control applications for decades, and our customers have learned that they also have great success in grinding applications that produce a hybrid liquid/solid pollution mix.

Here's how our cyclone works:

- Simply bolt it onto the bottom of your Filtermist unit.
- The combination of mist and solids is drawn into the cyclone at the highest point, and the tangential intake position creates a swirling effect within the cyclone.
- As the stream spins at high speed and travels downward, the solid particles are separated from the mist.
- The mist is then drawn up the central intake and into the Filtermist unit, while the solids are carried away by gravity into a continuously-draining tube located on the bottom of the cyclone.

Five Key Royal Advantages for Grinding Applications

- ▶ **It's Easy** – with no moving parts, the Royal cyclonic separator simply bolts onto the bottom of a standard Filtermist unit.
- ▶ **It's Cost-Effective** – purely mechanical design with no filters to ever replace.
- ▶ **It's Efficient** – by effectively separating the solids from the mist, clean coolant is recycled to the machine instead of becoming trapped in filters.
- ▶ **It Maximizes Productivity** – maintenance requirements of the Royal Filtermist paired with a cyclonic separator are significantly less than filter-dependent mist collectors, ensuring maximum machine tool uptime.
- ▶ **It's Risk-Free** – every Royal Filtermist unit carries a risk-free performance guarantee which enables our customers to try it on their toughest applications for 45-days. If they aren't absolutely thrilled with its performance, the unit can be returned and full credit will be arranged with their distributor. The reason we can offer such a guarantee is simple – the system simply works and we almost never get one back.



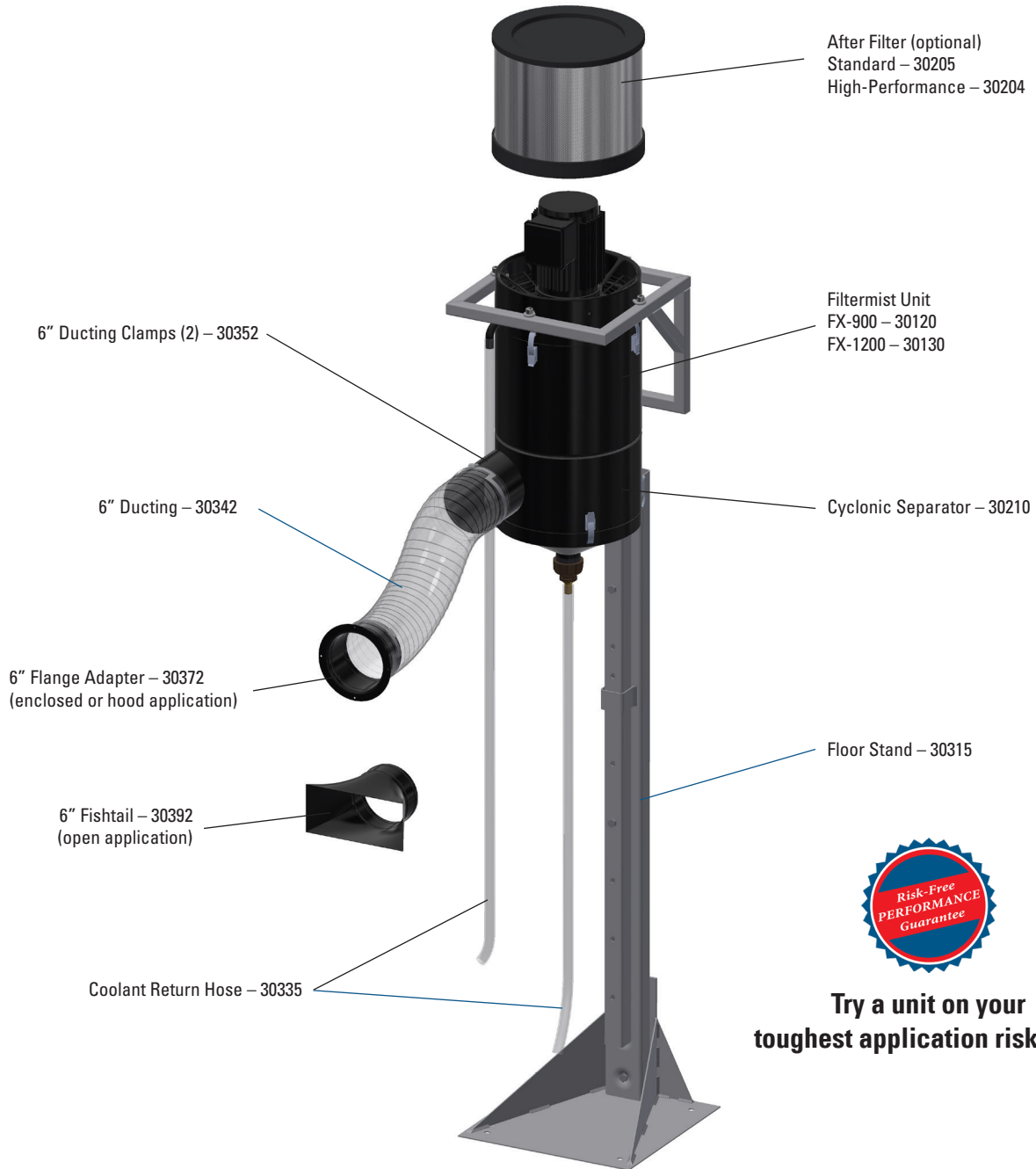
Try One Risk-Free Today!

1-800-645-4174

royalproducts.com

Mist Collecting for Grinding Applications

Typical Grinding Application Setup



Try a unit on your toughest application risk-free!

Contact Your Select Royal Products Distributor: