

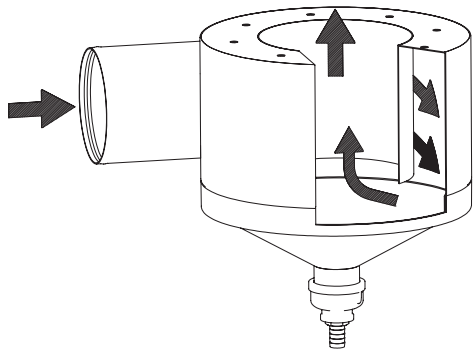


# Mist Collection for Grinding Applications

## GRINDING = MIST + DUST

Controlling mist on traditional chip-making operations like turning and milling is a relatively straightforward task because the weight of the chips, combined with gravity, ensures that most chips drop into the machine's conveyor rather than being drawn into the mist collector. Grinding, however, presents a more challenging application because the fine dust produced by grinding is often entrained in the mist stream, requiring a mist collector to address the presence of solid particulate as well as the mist.

### The Answer – Royal Filtermist Equipped with a Cyclonic Separator



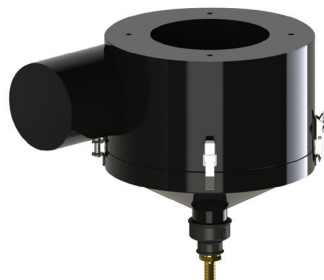
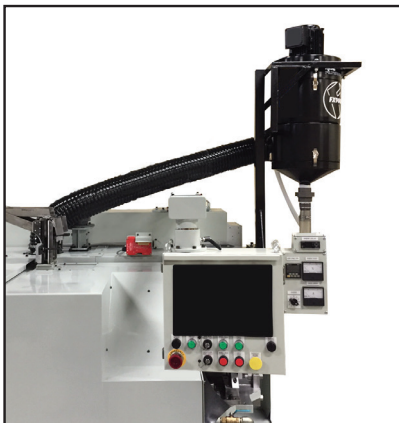
Cyclonic separators have been effectively used in dust control applications for decades, and our customers have learned that they also have great success in grinding applications that produce a hybrid liquid/solid pollution mix.

Here's how our cyclone works:

- Simply bolt it onto the bottom of your Filtermist unit.
- The combination of mist and solids is drawn into the cyclone at the highest point, and the tangential intake position creates a swirling effect within the cyclone.
- As the stream spins at high speed and travels downward, the solid particles are separated from the mist.
- The mist is then drawn up the central intake and into the Filtermist unit, while the solids are carried away by gravity into a continuously-draining tube located on the bottom of the cyclone.

### Five Key Royal Advantages for Grinding Applications

- ▶ **It's Easy** – with no moving parts, the Royal cyclonic separator simply bolts onto the bottom of a standard Filtermist unit.
- ▶ **It's Cost-Effective** – purely mechanical design with no filters to ever replace.
- ▶ **It's Efficient** – by effectively separating the solids from the mist, clean coolant is recycled to the machine instead of becoming trapped in filters.
- ▶ **It Maximizes Productivity** – maintenance requirements of the Royal Filtermist paired with a cyclonic separator are significantly less than filter-dependent mist collectors, ensuring maximum machine tool uptime.
- ▶ **It's Risk-Free** – every Royal Filtermist unit carries a risk-free performance guarantee which enables our customers to try it on their toughest applications for 45-days. If they aren't absolutely thrilled with its performance, the unit can be returned and full credit will be arranged with their distributor. The reason we can offer such a guarantee is simple – the system simply works and we almost never get one back.



**Try One Risk-Free Today!**

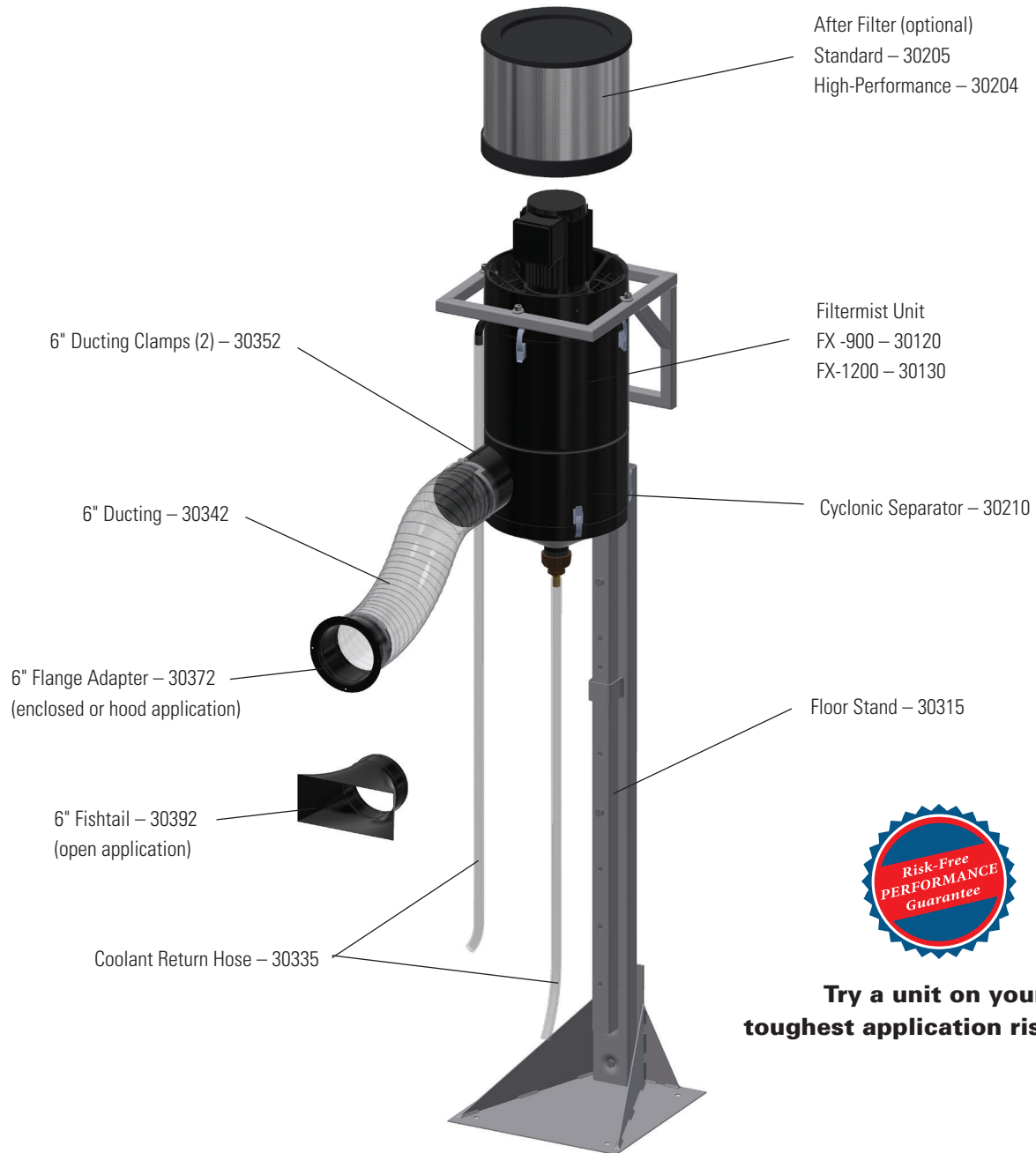
**1-800-645-4174**

**[www.royalproducts.com](http://www.royalproducts.com)**



# Mist Collection for Grinding Applications

## Typical Grinding Application Setup



**Try a unit on your toughest application risk-free!**

**1-800-645-4174 • [www.royalproducts.com](http://www.royalproducts.com)**