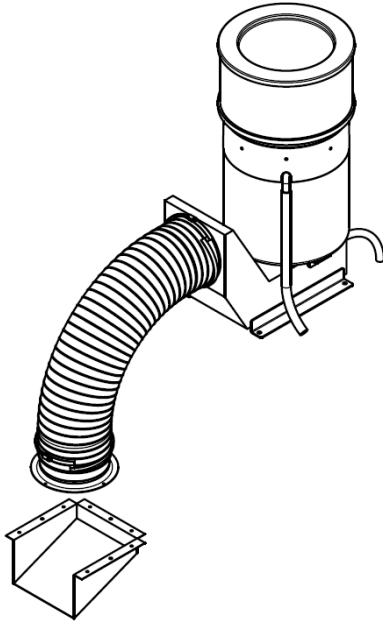




NEW for IMTS

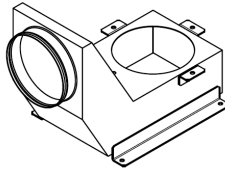
Royal Easy-Mount™ Filtermist Packages

Single Part-Number Ordering and Universal Installation



- ✓ This advanced mounting system relocates the intake point to the side of the Filtermist unit for **enhanced installation flexibility**.
- ✓ Enables mounting virtually anywhere on top of the machine tool for **optimal positioning** of both the mist collector and intake location.
- ✓ Single part-number ordering – Royal Easy-Mount™ packages include everything needed for **hassle-free installation**:

- Royal Filtermist Unit
- Plenum with drain tube
- Direct-Mount Kit
- Standard After Filter
- Starter Box Kit
- Chip Deflector
- Ducting (8 ft)
- Ducting Clamps
- Flange Adapter
- Coolant Return Hose (12 ft)
- All Required Hardware
- Extra Set of Drum Pads



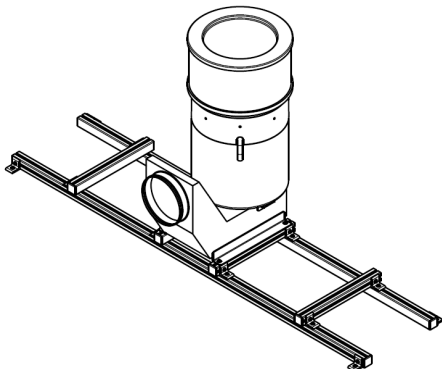
The key to this new system is the Royal Plenum, which has been optimized for minimal cfm loss. The plenum also functions as a coarse pre-filter by forcing fines and chips to drop out of the mist stream due to the internal airflow directional change.

Royal Easy-Mount™ Filtermist Mist Collector Packages

| Description | Filtermist Model | Voltage | Intake Diameter | Part Number | List Price |
|--|------------------|---------------|-----------------|--------------|----------------|
| FX-1200 Easy-Mount™ Package (Low-Voltage) | FX-1200 | 208/230 Volts | 8" | 30132 | \$5,985 |
| FX-1200 Easy-Mount™ Package (High-Voltage) | FX-1200 | 460 Volts | 8" | 30133 | 5,985 |
| FX-900 Easy-Mount™ Package (Low-Voltage) | FX-900 | 208/230 Volts | 6" | 30127 | 5,745 |
| FX-900 Easy-Mount™ Package (High-Voltage) | FX-900 | 460 Volts | 6" | 30128 | 5,745 |

Royal Easy-Mount™ Rail Kit

Provides Even Greater Filtermist Mounting Flexibility



- ✓ Heavy-duty rail kit can be used with any Royal Filtermist Easy-Mount™ Package to span openings/voids on top of the machine tool enclosure, making great use of “wasted space” on top of the machine.
- ✓ Rigid 40mm aluminum extrusions provide both **strength and vibration-dampening capabilities**. Rails are easily trimmable to the desired length.
- ✓ Rail Kit includes (3) six-foot lengths of 40mm extrusions – two for mounting the plenum and one to make stiffeners. All brackets, end caps, and hardware included for **seamless integration**.

Part Number – 30323

List Price - \$665

www.royalproducts.com